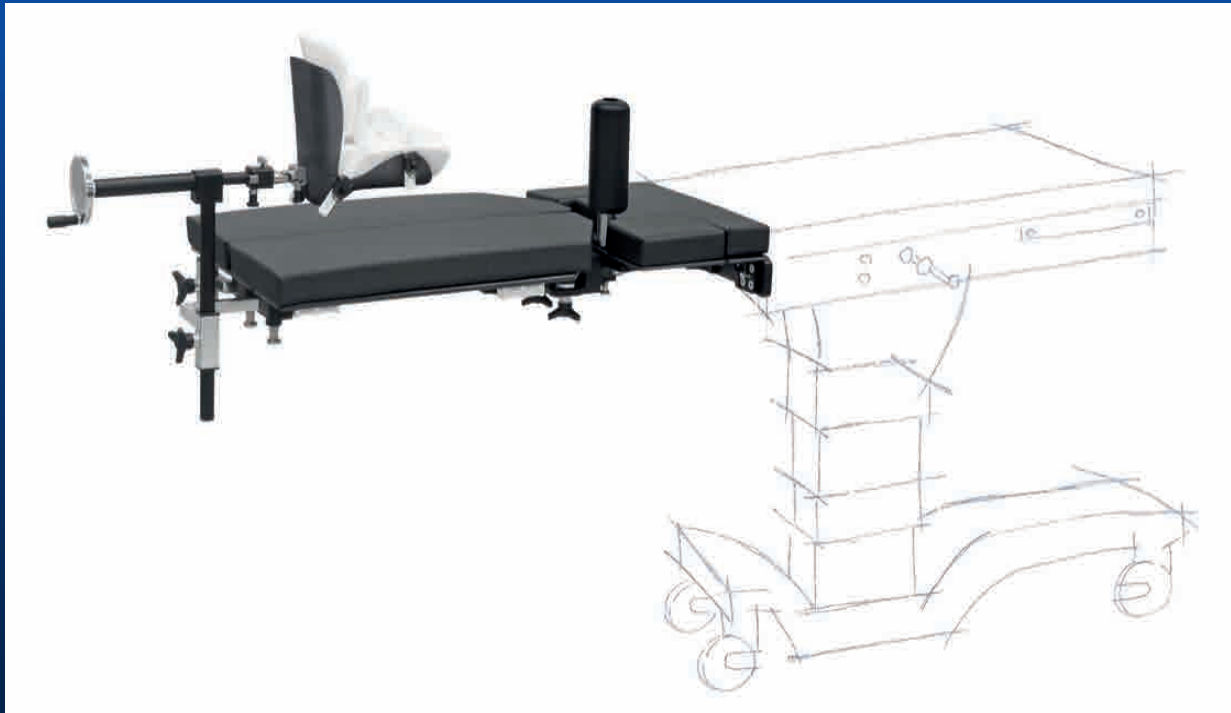




PUSHING TECHNOLOGY TO EXCELLENCE



# SIMEON - ORTHOPEDIC TRACTION UNIT

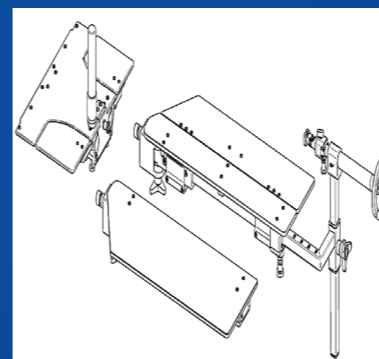
# APPLICATION ENHANCEMENT

Turn your Sim.MOVE 800 multi-purpose operating table into a specialized Orthopedic Table with the support of the CONDOR® Extension System (ES)



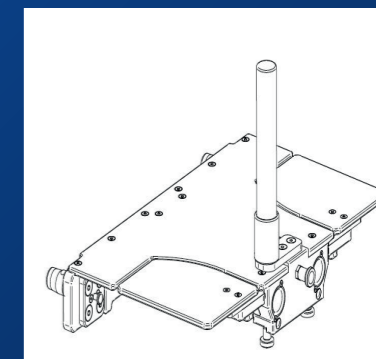
- Traumatology
- Tibia fractures (with the optional accessory "Tibia Set")
- Pelvic surgery
- Hip arthroscopy
- Hipendoprosthesis (in combination with Condor RotexTable®)

# SYSTEM COMPONENTS



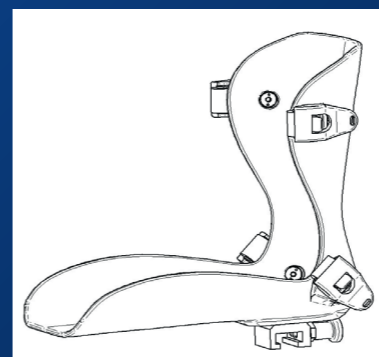
- Leg Plate Options

Leg Plates with foldable (not in "Light Plus" System) leg support allow insert of traction bar already in induction rooms and grant intuitive and easy patient positioning for the surgery by user friendly intuitive handling – leg plates can be both removed and left applied to the surgical table.



- Carbon Fibre Seat Plate

Due to carbon fibre bearing surfaces on the seat plate the Simeon Orthopaedic Traction Unit delivers superior imaging access – no visual obstructions in the common used x-ray areas.



- Traction Boot System

The Traction Boot System makes your job easier, due to being easy to handle. The Traction Boot System in 2 sizes with innovative inlays (single use) and innovative foot fixation and foot positioning grants optimized pressure distribution results and significantly reduces shear forces.



- Easy Assembly and User Friendly

Saving and User-Friendly Storage by the Accessories Trolley which allows the placement and storage of all necessary parts in one spot and delivery on one easily movable trolley – easy handling by only one person for assembling and disassembling of the entire Simeon Orthopaedic Traction Unit on one spot.

541-0019789	Simeon Orthopaedic Traction Unit "Light Plus" System with swivelling none foldable leg plates (incl. 2 Boots (different sizes) Pad height 80mm, Cushion for Leg and Seat Plate included)
541-0019790	Simeon Orthopaedic Traction Unit System Standard with swivelling foldable leg plates (incl. 2 Boots (different sizes) Pad height 80mm, Cushion for Leg and Seat Plate included)
551-0019791	Simeon Orthopaedic Traction Unit System additional Tibia Nailing Set
551-0019792	Cushion Set Standard Size Boot (10 pcs.) – disposable
551-0019793	Cushion Set Small Size Boot (12 pcs.) – disposable
*	Adoption via side rails or other connection interfaces upon request, please contact your SIMEON Medical Partner.

# SIMEON MEDICAL YOUR SOLUTION PROVIDER FOR THE HOSPITAL



PUSHING TECHNOLOGY TO EXCELLENCE

S.I.M.E.O.N. Medical GmbH & Co. KG

In Grubenäcker 18

78532 Tuttlingen

Phone: +49 (0) 74 61 / 900 68 – 0

Fax: +49 (0) 74 61 / 900 68 – 900

[www.simeonmedical.com](http://www.simeonmedical.com)

[info@simeonmedical.com](mailto:info@simeonmedical.com)



Products are only available in registered countries.

\*Sim.CARRY made in Czech Republic

As a hospital solution provider, SIMEON Medical has more than 20 years of experience, 100 employees at 6 sites worldwide, great innovative capacity and invaluable know-how for medical technology solutions. Thank to our proximity to our customers and understanding of their needs, we guarantee you excellent products – made in Germany\*